

# Network Video Recorder

## NVR304-S-P Series



### Key Features

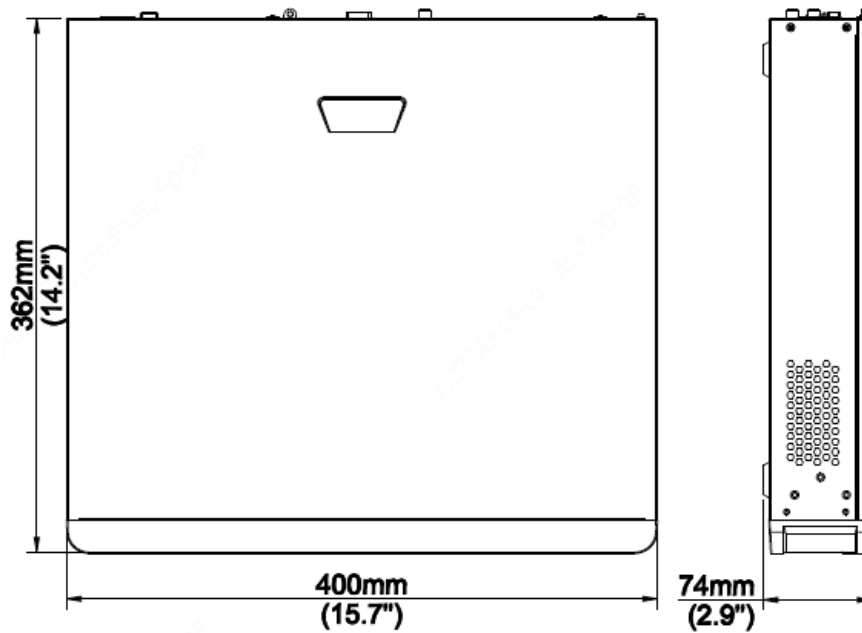
- Support Ultra265/H.265/H.264 video formats
- 16/32-channel input
- Plug & Play with 16 independent PoE network interfaces
- Support mainstream cameras of ONVIF conformance(Profile S, Profile G, Profile T ) and RTSP protocols
- Support HDMI and VGA simultaneous output
- Up to 8 Megapixels resolution recording
- 4 SATA HDDs, up to 10TB for each HDD
- ANR technology to enhance the storage reliability when the network is disconnected
- Support cloud upgrade

## Specifications

Model	NVR304-16S-P16	NVR304-32S-P16
<b>Video/Audio Input</b>		
IP Video Input	16-ch	32-ch
Two-way Audio Input	1-ch, RCA	
<b>Network</b>		
Incoming Bandwidth	160Mbps	
Outgoing Bandwidth	64Mbps	
Remote Users	128	
Protocols	TCP/IP, IPv4, IPv6, P2P, UPnP, NTP, DHCP, PPPoE, HTTP, HTTPS, DNS, DDNS, SNMP, SMTP	
Browser	IE(IE10/11) for Windows Firefox (version 52.0 and above) for Windows Chrome(version 45 and above) for Windows Edge(version 79 and above) for Windows	
<b>Video/Audio Output</b>		
HDMI/VGA Output	HDMI: 4K (3840x2160@30), 1920X1080@60, 1920X1080@50, 1600X1200@60, 1280X1024@60, 1280X720@60, 1024X768@60 VGA: 1920X1080@60, 1920X1080@50, 1280X1024@60, 1280X720@60, 1024X768@60	
Recording Resolution	8MP/6MP/5MP/4MP/3MP/1080p/960p/720p/D1/2CIF/CIF	
Audio Output	1-ch, RCA	
Audio Compression	G.711A, G.711U	
Synchronous Playback	16-ch	
Liveview display	1/4/6/8/9/16	1/4/6/8/9/16/25/36
Corridor Mode Screen	3/4/5/7/9/10/12/16	3/4/5/7/9/10/12/16/32
<b>Decoding</b>		
Decoding format	Ultra 265/H.265/H.264	
Live view/Playback	8MP/6MP/5MP/4MP/3MP/1080p/960p/720p/D1/2CIF/CIF	
Capability	2 x 4K@30, 4x 4MP@30, 5 x 3MP@30, 8 x 1080P@30, 16 x 720P@30	2 x 4K@30, 4x 4MP@30, 5 x 3MP@30, 8 x 1080P@30, 16 x 720P@30, 32 x D1@30
<b>Hard Disk</b>		
SATA	4 SATA interfaces	
Capacity	Up to 10TB for each disk	
<b>Smart</b>		
VCA Detection by Camera	Face Detection, Intrusion Detection, Cross Line Detection, Enter Area, Leave Area, Defocus Detection, Scene Change Detection, Object Left Behind, Object Removed, Auto Tracking, Ultra Motion Detection(UMD)	
VCA Search	Face Search, Behavior Search	
People counting	People Flow Counting, Crowd Density Monitoring	
Smart Intrusion Prevention (SIP), Face Detection, UMD by Camera	Total 8-ch	
<b>General Alarm</b>		

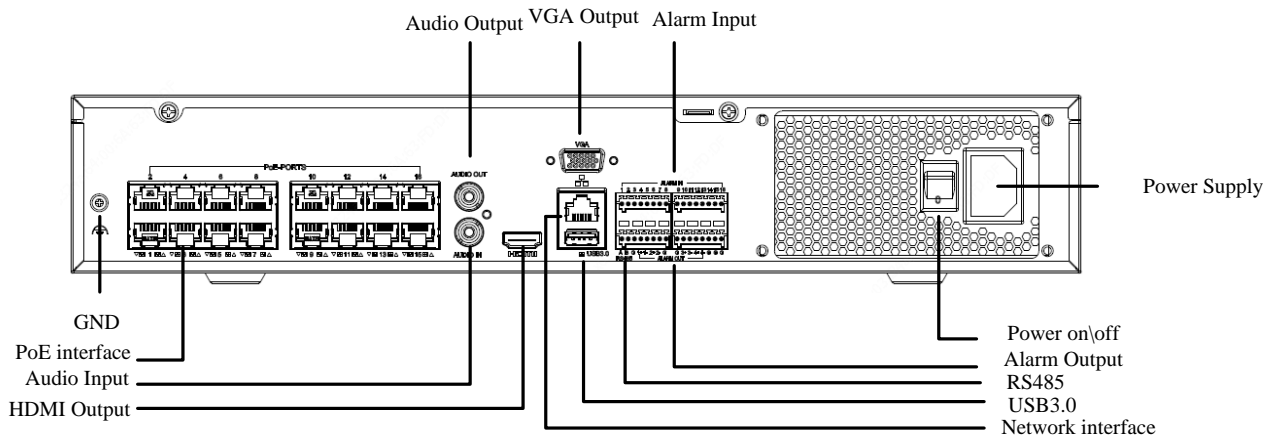
General Alarm	Motion, Tampering, Human Body Detection, Video Loss, Alarm Input, Audio Detection
Alert Alarm	IP Conflict, Network Disconnected, Disk Offline , Disk Abnormal, Illegal Access, Hard Disk Space Low, Hard Disk Full, Recording/Snapshot Abnormal
<b>External Interface</b>	
Network Interface	1 RJ-45 10M/100M/1000M self-adaptive Ethernet Interface
USB Interface	Front panel: 1 x USB2.0, Rear panel: 1 x USB3.0
RS232	NA
RS485	1
Alarm In	16-ch
Alarm Out	4-ch
<b>PoE</b>	
Interface	16 RJ-45 10M/100M self-adaptive Ethernet Interface
Max Power	Max 30W for single port Max 150W in total
Supported Standard	IEEE 802.3af/at
<b>General</b>	
Power Supply	100 ~ 240 V AC Power Consumption: ≤15W(without HDD)
Working Environment	-10°C~+ 55°C (+14°F~+131°F), Humidity ≤ 90% RH (non-condensing)
Dimensions (W×D×H)	400mm ×362mm × 74mm (15.7" × 14.2" ×2.9")
Weight (without HDD)	≤5kg (11.02lb)
<b>Certification</b>	
Certification	CE, FCC, UL, RoHS, WEEE
CE	EN 55032: 2015, EN 61000-3-3: 2013, EN IEC 61000-3-2: 2019, EN 55035: 2017
FCC	Part15 Subpart B, ANSI C63.4

## Dimensions



## Rear Panel

Take **NVR304-16S-P16** for example



Zhejiang Uniview Technologies Co., Ltd.

Building No.10, Wanlun Science Park, Jiangling Road 88, Binjiang District, Hangzhou, Zhejiang, China

Email: [overseasbusiness@uniview.com](mailto:overseasbusiness@uniview.com); [globalsupport@uniview.com](mailto:globalsupport@uniview.com)

<http://sgcdn.uniview.com>

©2020-2022 Zhejiang Uniview Technologies Co., Ltd. All rights reserved.

\* Product specifications and availability are subject to change without notice.